



25 Dissipation 100Hz (see table 2)
leakage current

25	$I \leq 0.002CRUR$	μA	or $2\mu A$ (which
85	$I \leq 0.01CRUR$	μA	or $10\mu A$ (which
175	$I \leq 0.03CRUR$	μA	or $30\mu A$ (which

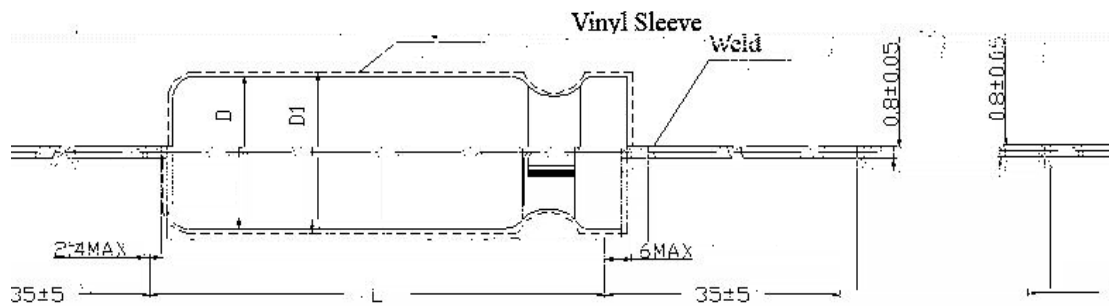
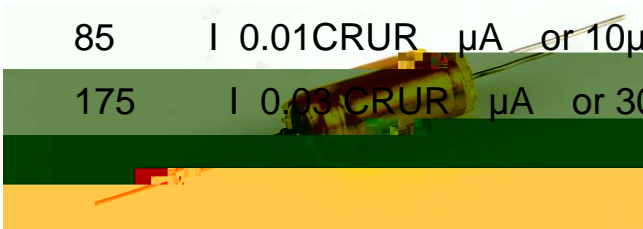




Table2 Rated Voltage, derated voltage, capacitance, case code and dissipation factor

Rated Voltage U _R (V)	Derated Voltage U _C (V)	Case Code	Cap. C _R (μF)	tg (%) 25	Rated Voltage U _R (V)	Derated Voltage U _C (V)	Case Code	Cap. C _R (μF)	tg (%) 25				
6.3	3	1	22	45	25	13	2	47	30				
		1	33	45			2	68	30				
		1	47	45			2	100	40				
		1	68	45			3	150	45				
		2	100	50			4	220	60				
		2	150	50			4	330	60				
		3	220	70			5	470	65				
		3	330	75			6	680	70				
		4	470	95			1	4.7	15				
		4	680	95			1	6.8	20				
		5	1000	100			1	10	20				
		5	1200	120			1	15	25				
		10	5	1			15	40	40	20	1	22	30
				1			22	40			2	33	30
1	33			40	2	47	35						
1	47			45	2	68	30						
1	68			45	3	100	45						
2	100			50	4	150	45						
2	150			60	5	220	45						
3	220			65	5	330	50						
3	330			80	6	470	60						
4	470			85	7	680	80						
4	680			85	1	3.3	10						
				1	4.7	20	1	4.7			15		

16

8

50

25

